



# 32LC2DC

32" LCD INTEGRATED HDTV



32" LCD HDTV  
32LC2DC

32" LCD

#### 32" HDTV

Truly Flat LCD screen delivers razor sharp images

#### 1366 x 768p Resolution

High resolution format produces extremely detailed imagery

#### 1600:1 High Contrast Ratio

LCD technology emits sharp contrast between light and dark images

#### 178 Degree Viewing Angle

New Super IPS® Technology allows for distortion-free viewing from almost any angle

#### HDMI with HDCP

Built-in ATSC/NTSC/QAM Tuners

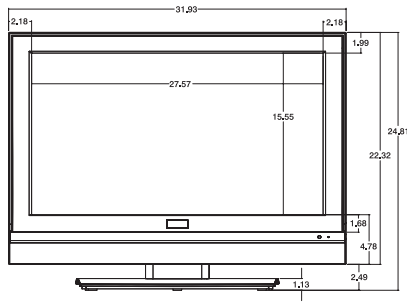
#### XD Engine™

Compatible with LST-5600A

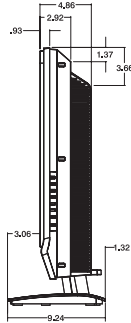


# 32LC2DC 32" LCD Integrated HDTV

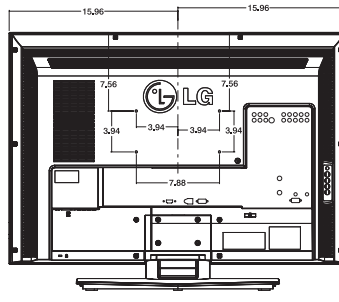
## DIMENSIONS



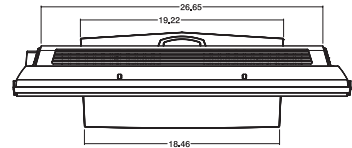
Front View



Side View



Back View



Top View

### PANEL

Screen Size	32"
Native Resolution	1366 x 768p
Contrast Ratio	1600:1
Brightness	500 cd/m <sup>2</sup>
Lamp Life	60,000 Hours (typ.)
Viewing Angle (H x V)	178° x 178°
Super IPS®	Yes
Response Time	8 ms

### VIDEO

ATSC/NTSC/QAM Tuners	Built-in
Program Guide Type	PSIP
Comb Filter	3D Y/C
Color Temperature	Cool, Mid, Warm
3:2 Pull Down Cinema Correction	480i
Aspect Ratio Adjustment	7 Modes
EZ Video/Picture Selection Mode	7 Modes
XD Engine™	Yes
Black Stretcher (Black Level Enhancer)	Yes
DTV Signal Strength Indicator	Yes
Displayable Colors	1.07 Billion
Noise Reduction (Video Noise Filter)	3D
Decoder Formats	MPEG2
Screen Pitch	0.51 (Pixel Pitch)

### REAR INPUTS

Antenna In (RF)	1
Cable In (RF)	1
HDMI (DVI with Adapter)	1
Digital Audio Out (Optical)	1

### REAR INPUTS (CONTINUED)

RS-232C	1
Remote Control In (IR)	1
RGB In (PC/DTV Input)	1
Audio In (RGB/DVI with Adapter)	1
Composite Video & Audio L/R In	1
Composite Video & Audio L/R Out	1
Component HD/DVD & Audio L/R In	2
S-Video In	1

### SIDE INPUTS

Composite Video & Audio L/R In	1
S-Video In	1

### AUDIO

Audio Power	30W (15W x 2)
Speaker System Details	1 Way 2 Speaker
SRS TruSurround XT™	Yes
3D EchoSound System	Yes
BBE	Yes
Bass/Treble/Balance	Yes
Auto Volume Leveler (EZ SoundRite™)	Yes
EZ Sound/Sound Selection Mode	6 Modes
Mute	Yes
Mono/Stereo/SAP	Yes

### SPECIAL FEATURES

Custom Input Labels	Yes
Defeatable Inputs	Yes
Auto Input Detect	Yes
Channel Block	Yes
Freeze	Yes

### SPECIAL FEATURES (CONTINUED)

Discrete IR Codes	Yes
Favorite Channel Selection/Surf	Yes
Trilingual Menus	English/Spanish/French
Sleep Timer, On/Off Timer	Yes
Auto Off (When No Video Is Present)	Yes
Flashback (Previous Channel)	Yes
Parental Control w/V-Chip	Yes
EZ Menus (High Performance Interface)	Yes
EZ Scan (Auto Channel Programming)	Yes
Closed Caption	Yes
Remote	Yes, Universal
Compatible with LST-5600A	Yes

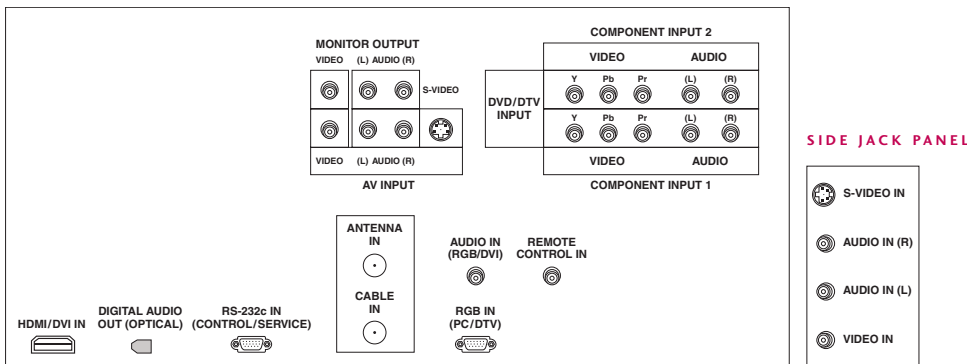
### CABINET

Cabinet Style	Table Top
Table Stand Included	Yes
Color	Black/Silver
Dimensions with Stand (W x H x D)	31.9" x 24.8" x 9.2"
without Stand (W x H x D)	31.9" x 22.3" x 4.9"
Packaging (W x H x D)	35.3" x 28.3" x 11.8"
Weight with Stand	48.6 Lbs.
Weight without Stand	40.8 Lbs.
Weight with Packaging	56.3 Lbs.
UPC	719192169791
VESA™ Compatible	Yes

### SERVICE/LIMITED WARRANTY

Warranty (Parts/Labor)	1 Year
------------------------	--------

## REAR JACK PANEL



### www.LGcommercial.com

LG Electronics U.S.A., Inc. 2000 Millbrook Drive, Lincolnshire, IL 60069 Customer Service: 1-888-865-3026  
 Dimensions and weights are approximate. Design and specifications subject to change without notice. VESA™ is a registered trademark of Video Electronics Association. Dolby and the double-D symbol are registered trademarks of Dolby Laboratories. SRS and the SRS symbol are registered trademarks of SRS Labs, Inc. in the U.S. and selected foreign countries. TruSurround XT™ is a trademark of SRS Labs, Inc. All other corporate and brand names are trademarks of their respective owners. The "LG Life's Good", Super IPS, and XD are registered trademarks of LG Electronics U.S.A., Inc.  
 ©2006 LG Electronics U.S.A., Inc. Printed in the USA. LG32LC2DC0506

